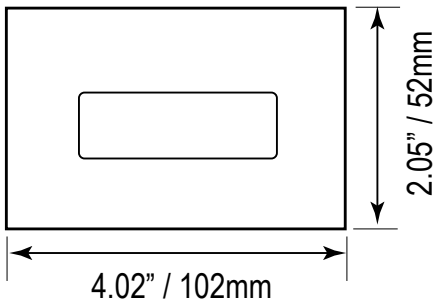
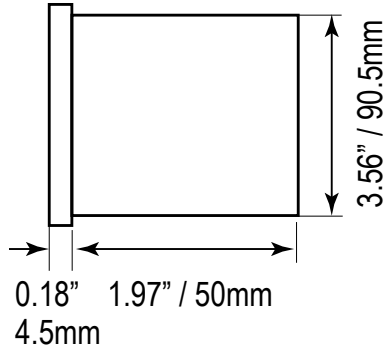


MV15 Dimensional Drawing
Reference only

Front bezel



Side view



Panel cutout

