



Model H6286

Edgewise Panel Meter



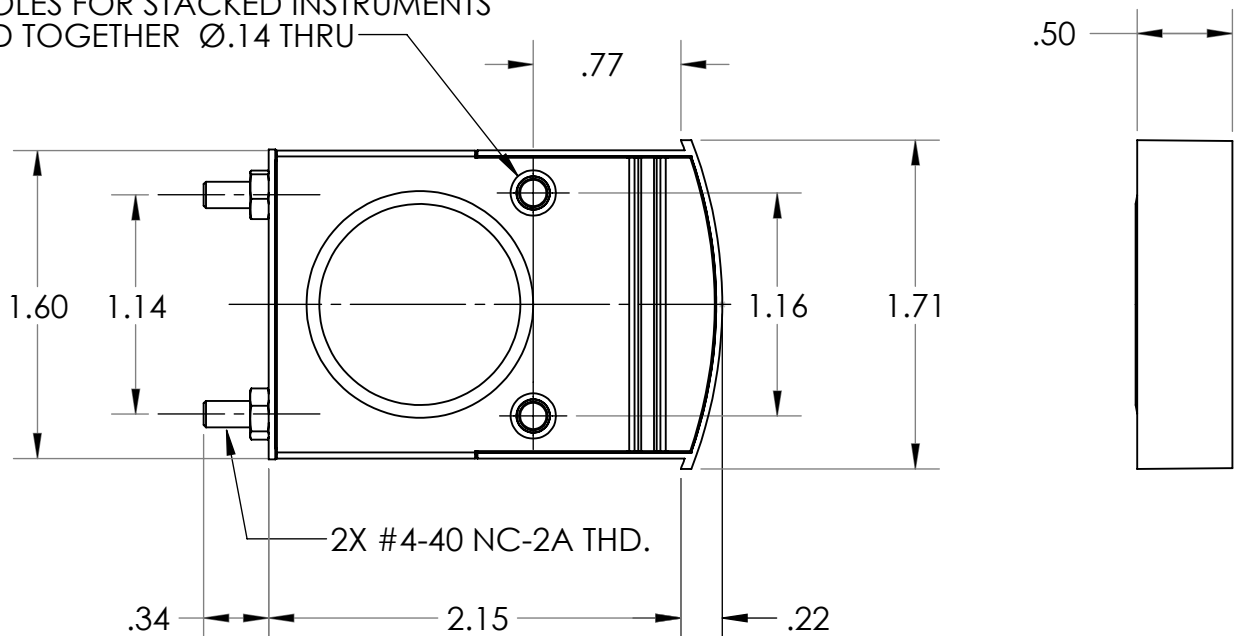
SPECIFICATIONS

These meters are designed to meet all applicable sections of ANSI C39.1.
Available with Horizontal or Vertical scales.

- Accuracy: $\pm 2\%$ of full scale, DC meters. $\pm 3\%$ with 60 Hz sine wave at 25°C for AC rectifier type meters.
- Overload: DC Voltmeters - 20% momentary and sustained.
DC Ammeters (momentary) - 10 times the rated current for 10 consecutive intervals of .5 seconds with 1 minute between successive applications.
DC Ammeters (sustained) - 20% for 6 hours.
- Dielectric: (Hi-pot): 1500 VRMS.
- Response Time: 3 seconds max for μA meters, 2 seconds (max.) for mA, A, mV, and V meters.
- Pointer Color: Red standard.
- Overshoot: 25% (max.).
- Scale data: 53° deflection.
- Bezel and Mounting Hardware: Included with meter.

DIMENSIONS

THROUGH HOLES FOR STACKED INSTRUMENTS
TO BE BOLTED TOGETHER $\varnothing .14$ THRU



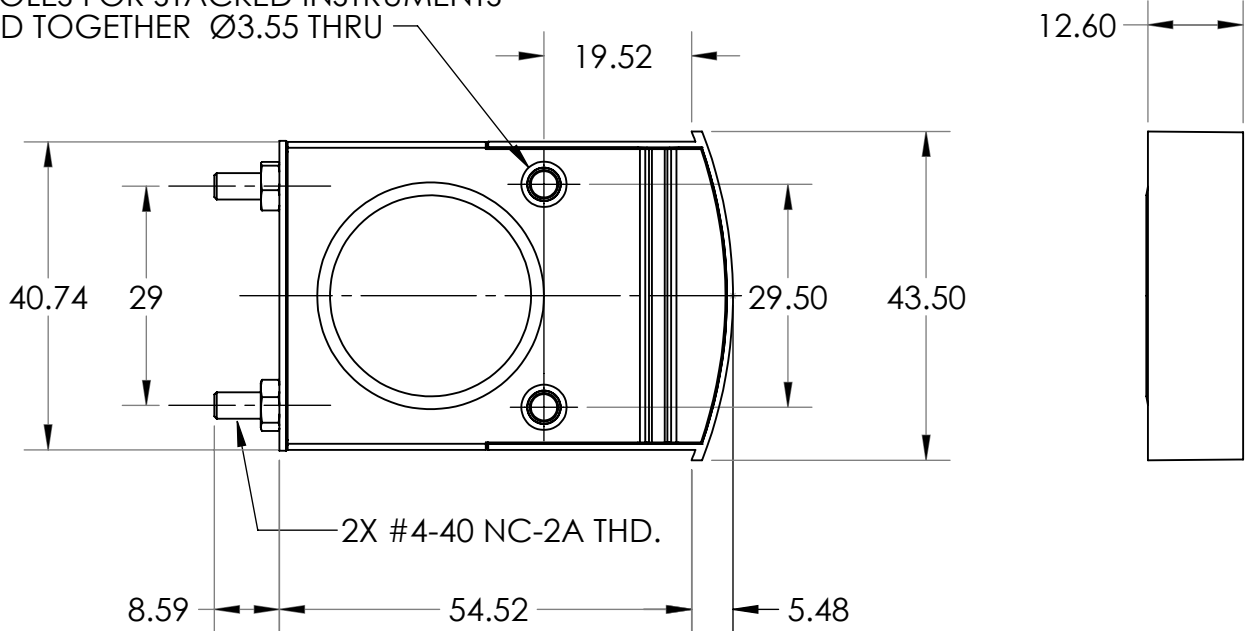


Model H6286

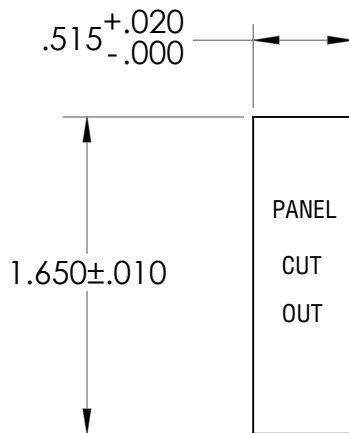
Edgewise Panel Meter

DIMENSIONS

THROUGH HOLES FOR STACKED INSTRUMENTS
TO BE BOLTED TOGETHER Ø3.55 THRU



PANEL CUT OUT (in.):



PANEL CUT OUT (mm):

