



# LCD Digital Panel Meters

## Digital Meters

Miniature Bezel Mount 3½ Digit LCD



### FEATURES

- Low-cost, high-performance miniature snap-in DPM with annunciators
- Snap-in bezel mount eliminates mounting hardware
- Space-saving design: only .5" deep
- Occupies less than 1.75 X .95 inches of front panel space
- 3½ digits with high-contrast LCD
- Annunciators and decimal points

### SPECIFICATIONS

#### DISPLAY

**Digits:** 3 ½ digits ( $\pm 1999$  counts)  
**Type:** 0.38" (9 mm) high-contrast reflective LCD  
**Polarity:** automatic, "-" displayed  
**Decimal Points:** 3 position, user-selectable  
**Annunciators:** BAT, °C, °F, ~, m,  $\mu$ , M $\Omega$ , K $\Omega$ , V, A, HOLD, user-selectable  
**Overrange:** three lower order digits blank for inputs  $>1999$  &  $< -1999$   
**Hold:** available OEM option, contact factory

#### INPUTS

**Ranges:**  $\pm 200.0$  mV,  $\pm 2.000$  V  
**Configuration:** bipolar differential  
**Protection:**  $\pm 350$  VDC, ( $\pm 100$  VDC on 200 mV range)  
**Impedance:**  $>10$  M $\Omega$ , ( $>1$  M $\Omega$ , on 2 V range)

#### PERFORMANCE

**Accuracy:**  $\pm(0.1\% + 1$  count) typical  
 $\pm(0.1\% + 2$  counts) maximum  
**Conversion Rate:** 2.5 per second  
**Normal Mode Rejection:**  $>30$  dB @ 60 Hz  
**Common Mode Range:**  $\pm 1$  VDC  
**Common Mode Rej.:**  $>86$  dB  
**Zero Adjustment:** automatic  
**Warmup:** 10 minutes typical  
**Temperature Coeff.:**  $\pm 100$  ppm per °C typical

#### ENVIRONMENT

**Operating Range:** 0 to 50 °C  
**Storage Range:** -20 to 70 °C

#### POWER SUPPLY

**5V powered:** +5 VDC ( $\pm 5\%$ ) at 5 mA  
**9V powered:** +7.2-12 VDC at 300  $\mu$ A

**MOUNTING** snap-in bezel mount

**CONNECTION** 26 pins, in 2 rows

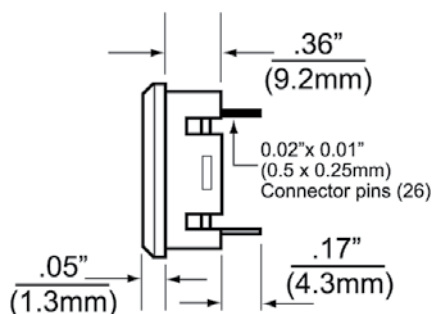


# LCD Digital Panel Meters

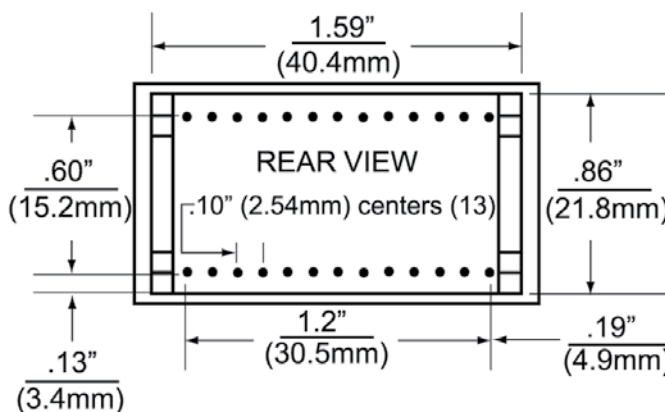
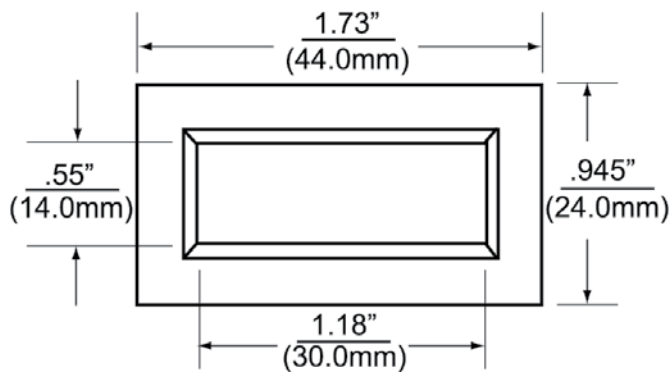
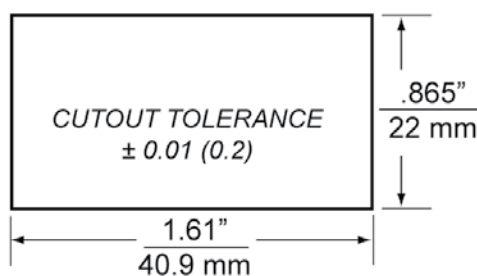
## Digital Meters

Miniature Bezel Mount 3½ Digit LCD

### DIMENSIONS



### PANEL CUTOUT





# LCD Digital Panel Meters

## Digital Meters

Miniature Bezel Mount 3½ Digit LCD

### CONNECTION DESCRIPTION

PIN #	PIN NAME	DESCRIPTION
1		NO CONNECTION
2	°C	ANNUNCIATOR
3	KΩ	ANNUNCIATOR
4	°F	ANNUNCIATOR
5	MΩ	ANNUNCIATOR
6	HOLD1	CONNECT TO VDD TO HOLD DISPLAY
7	C	ANALOG COMMON
8	RL	REFERENCE LOW TERMINAL
9	RH	REFERENCE HIGH TERMINAL
10	GD	NEG POWER SUPPLY FOR 5V DPMS
11	VDD	POSITIVE DPM POWER SUPPLY
12	HOLD2	"HOLD" ANNUNCIATOR
13	BAT	ANNUNCIATOR
14	m	ANNUNCIATOR
15	V	ANNUNCIATOR
16	A	ANNUNCIATOR
17	μ	ANNUNCIATOR
18	IH	POSITIVE INPUT SIGNAL
19	IL	NEGATIVE INPUT SIGNAL
20	VSS	NEGATIVE POWER SUPPLY FOR 9V
21	BP	LCD BACKPLANE
22	XBP	ANNUNCIATOR & DECIMAL POINT DRIVER
23	~	ANNUNCIATOR
24	D1	1.XXX
25	D2	1X.XX
26	D3	1XX.X

} DECIMAL POINT

MUST BE ISOLATED FROM SUPPLY ON 9V POWERED DPM.  
 ( HOLDS READING WHEN "HOLD1" IS HIGH (CONNECTED TO "VDD").  
 GS ARE UPDATED WHEN OPEN. (OPTIONAL)  
 COMMON MODE RANGE IS ±1 V DC ON +5V POWERED DPMS.  
 V ON DECIMAL POINTS OR ANNUNCIATORS, CONNECT TO "XBP".

### HOW TO ORDER

PART NUMBER	METER INPUT	METER POWER
H6M0040.....	200mV .....	+5VDC
H6M0140.....	.2V.....	+5VDC
H6M0050.....	200mV .....	9VDC
H6M0150.....	.2V.....	9VDC

### ACCESSORIES

HPW2-5.....	Regulated 120V AC to 5V DC Power Supply
HPW2-12.....	Regulated 120V AC to 12V DC Power Supply
HCVC .....	Calibrator

### MINI 26-PIN DPM CONNECTIONS

