



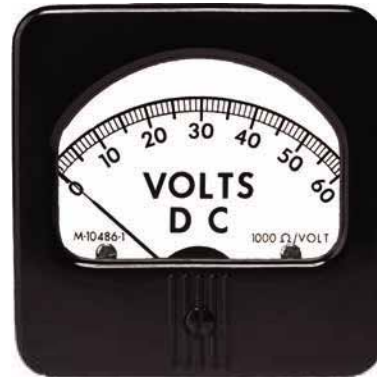
Industrial Panel Meters

Square Meters, Phenolic Cases



2-1/2"

- 635 ■ D.C. Moving Coil
- 636 ■ A.C. Repulsion



3"

- 597 ■ D.C. Moving Coil
- 598 ■ A.C. Repulsion

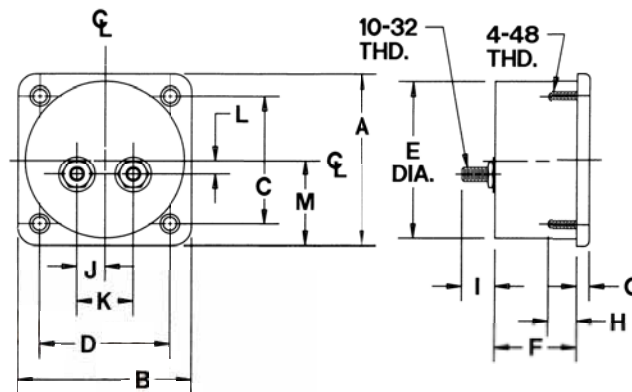
FEATURES

- This series was designed to meet industrial requirements where rugged phenolic cases with glass fronts provide long service under adverse conditions.
- Square models sizes in 2-1/2" and 3" are produced in either the $\pm 2\%$ of full scale AC repulsion or DC Moving Coil version.
- AC ranges are standard up to 50 amperes self contained and 600 AC volts.

- Ranges down to 10 milliamperes AC are also standard.
- DC ranges from 20 microamperes to 50 millivolts to 750 volts DC.
- High current ammeter ranges with external shunt are available, as are special or non-standard ranges.

For exact specifications and certified dimensions please contact Hoyt.

DIMENSIONS



MODELS	A	B	C	D	E	F	G	H	I	J	K	L	M
635/636	2.38	2.38	1.88	1.88	2.20	1.40	0.20	0.55	0.50	0.48	0.97	0.00	1.19
597/598	3.00	3.00	2.25	2.25	2.75	1.42	0.22	0.50	0.50	0.48	0.97	0.25	1.50