



Model 3135VU

Analog VU Meter



FEATURES

Designed to read zero VU or 100% with 1.228 volts applied to the instrument and the 3600 ohm series resistance; this represents 4 DB above 1 milliwatt in 600 ohms.

The combination of a special copper oxide rectifier and an extremely sensitive movement with special magnetic system gives very high sensitivity.

Designed to meet industrial requirements where rugged phenolic cases with glass fronts provide long service under adverse conditions.

SPECIFICATIONS

3.5" Rectangular.

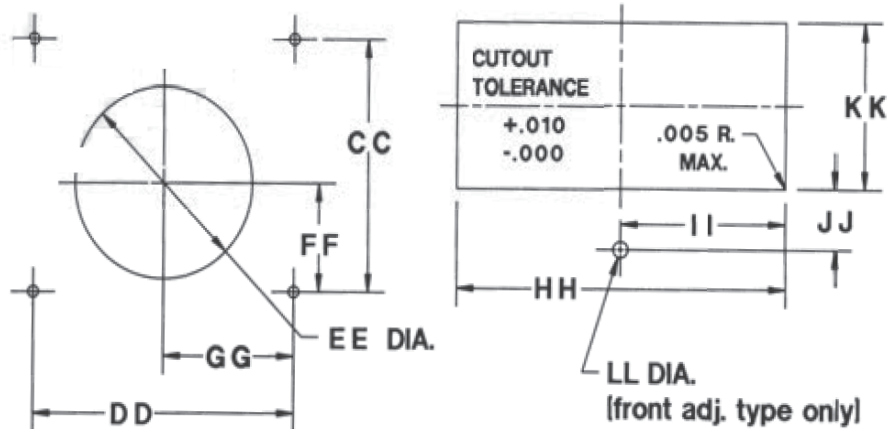
4-Stud 4-40.

#10 Input Terminal

Surface Mount.

Pivot & Jewel.

DIMENSIONS



PANEL CUTOUT FOR BARREL

WINDOW MOUNT

Dimensions in Inches

MODELS	AA	BB	CC	DD	EE	FF	GG	HH	II	JJ	KK	LL
3135VU	3.720	2.160	2.250	2.250	2.720	1.120	1.120	3.590	1.795	0.804	1.590	0.265

Hoyt Electrical Instrument Works, Inc.

www.hoytmeter.com

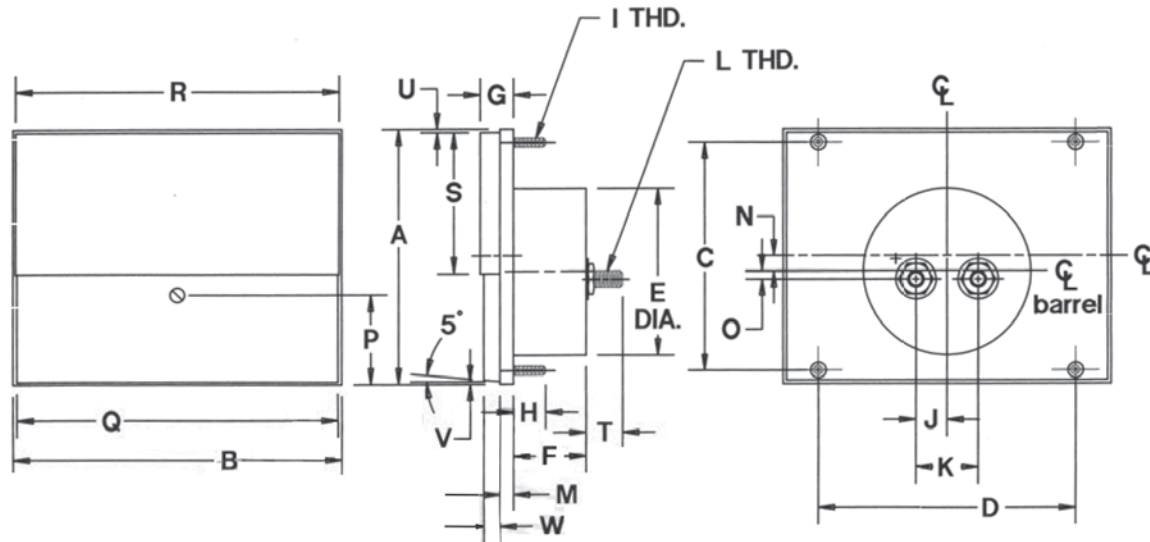
23 Meter Street
Penacook, NH 03303

Phone: (800) 258-3652
Fax: (603) 753-9592
Email: sales@hoytmeter.com



Model 3135VU

Analog VU Meter



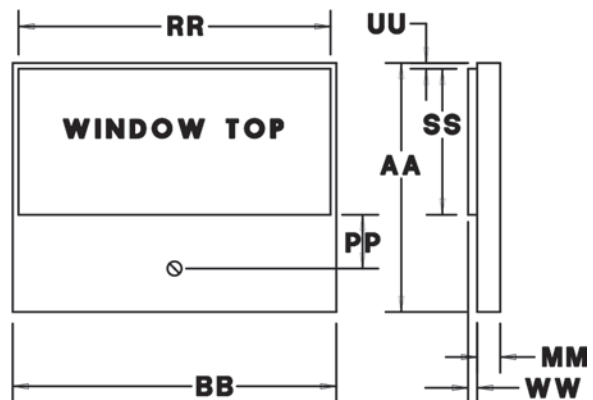
SURFACE MOUNT

MODELS	A	B	C	D	E	F	G	H	I	J	K	L	M	N	O	P	Q	R	S	T	U	V	W
3135VU	2.89	3.70	2.25	2.25	2.60	1.16	0.42	0.50	4-48	0.48	0.97	10-32	0.18	0.00	0.12	0.96	3.59	3.62	1.55	0.50	0.06	0.04	0.19

Base is the same as the surface top.
See surface dimensional chart for omitted base dimensions.

Window Mount:

This series is industrially styled and universally accepted with maximum dial visibility. The outside edges of the "window" that project through the panel are clear which yields maximum readability. All specifications and options are identical to those on previous page.



WINDOW MOUNT

MODELS	AA	BB	MM	PP	RR	SS	UU	WW
3135VU	2.89	3.72	.32	.81	3.58	1.58	.07	.15