



Hoyt Personal Safety Voltage Detectors

286 SVD	1
287 SVD	2
288 SVD	3
289 SVD	4
302 SVD	5
305 SVD	6
325 SVD	7
388 SVD	8

Personal Safety Voltage Detectors

286 SVD Personal Safety Voltage Detector

286 SVD is a sensor for sensing AC High Voltage. It provides electric engineering personnel power engineering personnel, firefighting personnel and instrument equipment workers with prominent warning when approaching high voltage projects.

Features

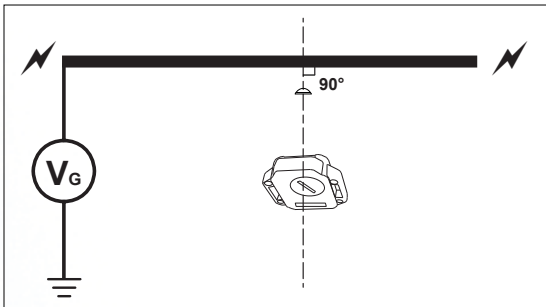
- Compact, easy to wear and convenient in use.
- Usable both indoor and outdoor.
- Water-proof design. (IP68)
- Equipped with self-testing functions.
- Able to sense all kinds of AC High Voltage System.
- Low power consumption.
- CE Certified.

Specifications

Distance of starting warning :	80 cm for 11.4KV (phase to ground)
Applicable frequency :	50 / 60 Hz
Volume :	70dB or higher at 1 meter distance
Operating Temp & Humidity :	0°C - 40°C / 80% RH.
Outside dimensions :	59(L) x 56(W) x 18(D) mm
Weight :	Approx. 35g (battery included)
Battery type :	CR2032
Battery life :	50 hours for continuous use.



The ideal detection angle



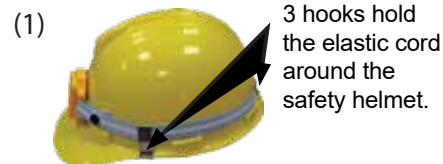
Method of use

• Inspection before use

- a) Check the appearance and structure for any abnormality.
- b) Press Self-Test switch (about 10 seconds) to confirm all functions are working normally.
- c) To be careful and to avoid misjudgment, test the unit by contacting AC 110V insulated wire with its front side to see if it sounds and flashes.

• Wearing

- (1) Wear the unit in front of the safety helmet.
- (2) Wear the unit at the pocket in front of your shirt (chest).
- (3) Wear the unit to the outer side of fore arm with the sensing side faces outwardly.



The effect is best when the sensing side is facing high voltage in right angle (90°).
When it is worn at the inner side of arm or is covered by cloth, the sensitivity is poorer.

Accessories

Instruction manual,
Elastic cord,
Hook,
Battery,
Skidproof cushion,
Bracket.



Bracket

At the pocket of the shirt



Skidproof cushion

In front of the safety helmet



Hook x 3

Personal Safety Voltage Detectors



CE

287 SVD Personal Safety Voltage Detector

287 SVD is a sensor for sensing AC High Voltage. It provides electric engineering personnel, power engineering personnel, firefighting personnel and instrument equipment workers with prominent warning when approaching high voltage source.

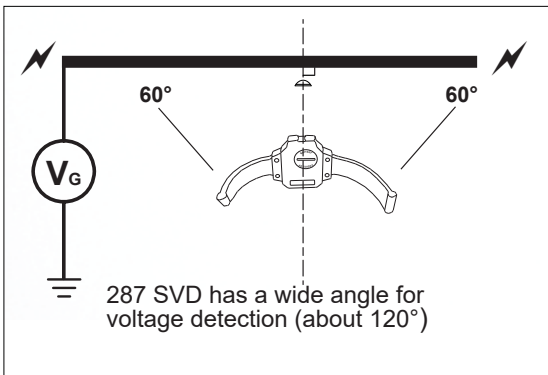
Features

- Compact, easy to wear and convenient in use.
- Usable both indoor and outdoor.
- Water-proof design. (IP65)
- Equipped with self-testing functions.
- Able to sense all kinds of AC High Voltage System.
- Low power consumption.
- CE Certified.

Specifications

Distance of starting warning :	85 cm for 22.8kV (phase to phase)
Applicable frequency :	50 / 60 Hz
Volume :	70dB or higher at 1 meter distance
Operating Temp & Humidity :	0°C - 40°C / 80% RH.
Outside dimensions :	61(L) x 62(W) x 18.5(D) mm
Weight :	Approx. 70g (battery included)
Battery type :	CR2032
Battery life :	50 hours for continuous use.

The ideal detection angle



Accessories

Instruction manual,
Elastic cord,
Elastic cord adjustment,
Connection ring,
Hooks,
Battery.

Method of use

• Inspection before use

- a) Check the appearance and structure for any abnormality.
- b) Press Self-Test switch (about 10 seconds) to confirm all functions are working normally.
- c) To be careful and to avoid misjudgment, test the unit by contacting AC 110V insulated wire with its front side to see if it sounds and flashes.

• Wearing

- (1) Wear the unit in front of the safety helmet.
- (2) Wear the unit to the outer side of fore arm with the sensing side faces outwardly.

The effect is best when the sensing side is facing high voltage in right angle (90°).
When it is worn at the inner side of arm or is covered by cloth, the sensitivity is poorer.



Personal Safety Voltage Detectors

288 SVD Personal Safety Voltage Detector



Features

- AC Voltage detection: 240V ~ 50kV
- Waterproof
- Easy-to-wear on body or belt
- Ultra-bright LED indication
- High pitch sound indication
- Self-test & diagnostic circuitry
- Friendly priority alert reporting
- High impact type casing
- Different alerting sound & light

The Body-Prox 288 SVD is a Personal Safety Voltage Proximity Detector.

It is an instrument designed to alert users that they are approaching live equipment where dangerous voltage is present.

The Body-Prox helps the user stay a safe distance away from live equipment. It therefore protects and safeguards users from approaching dangerous live high voltage equipment or cables.

When live equipment is detected near the user's body, the 288 SVD provides a clear proximity alert. The alert consists of an ultra bright LED on the front panel (flashing twice per second) and an audible buzzer (beeping).

The 288 SVD is an ultra low consumption product and can be used for months without replacing the 9V battery. Its functionality can be verified by pressing both front panel buttons.

If a low battery is encountered, it will beep the buzzer and flash the LED once every 5 seconds.

The Body-Prox is waterproof and can be used in all weather conditions.

It has no voltage selection or complicated controls. It is designed to be simple to use, and only requires self-testing prior to use

General Description

The 288 SVD consists of an internal pickup AC sensor plate, a test (oscillator) and diagnostic circuit, an adjustable threshold comparator, a sound annunciator (buzzer), a visual indicator (ultra-bright LED) and a 9V battery, all enclosed in a robust "beeper" style case.

The enclosure features a built-in clip enabling the unit to be attached to the user's outer garments or belt.

How it works

The 288 SVD detects AC voltages using its internal AC sensor plate. The AC sensor plate picks up part of the radiated electric field in volts per meter (V/M). The electric field is amplified and processed by the internal circuitry. Once the processed signal is above the threshold, the buzzer and LED are activated. The Buzzer beeps and the LED illuminates intermittently at a rate of 2 beeps/flashes per second.

Note: In the presence of mixed voltages, it could become difficult to determine exactly which source has been detected or which source created the alert. Always treat all sources as LIVE.



Specifications

Dimensions:	114(L) × 67(W) × 27(D)mm
Weight: Approx.	152g (battery included)
Power supply:	9V(6F22) × 1
Safety standard:	EN 61326-1

Personal Safety Voltage Detectors

IP65



CE

289 SVD is an instrument designed to alert users that they are approaching live equipment where dangerous voltage is present.

The safety voltage detector helps the user stay a safe distance away from live equipment. It therefore protects and safeguards users from approaching dangerous live high voltage equipment or cables.

It's a new tool for checking the presence of AC high voltages and low voltages.

The voltage detection is from 100Vac to 69kVac.

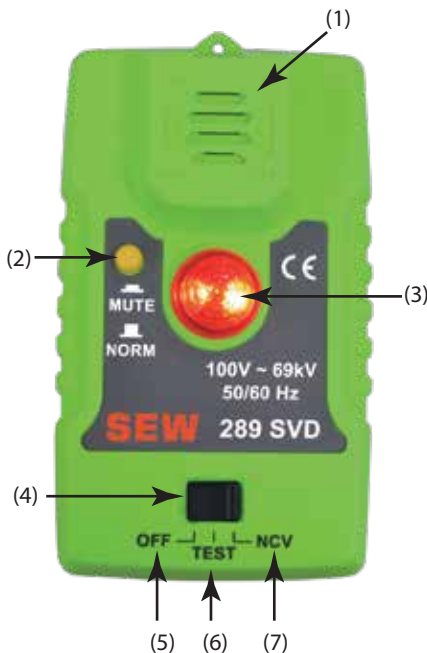
289 SVD Personal Safety Voltage Detector

Features

- Bright LED visual indication
- Audible indication
- Mute function
- AC voltage detection: 100Vac ~ 69kVac
- Frequency range: 50/60Hz
- Easy-to-prove method
- Self-test function
- Power source: 1.5V(AA) alkaline battery × 3
- Non-contact detection by proximity
- Personal sensor, easy to wear and convenient to use
- Can be attached with hot sticks by optional accessory
- Lightweight, robust and compact
- Easy access to batteries.

Specifications

AC Voltage detection	100 Vac ~ 69kVac
Frequency range	50/60Hz
Operating temperature and humidity	0°C ~ 40°C / 80% R.H. Max.
Dimensions	133(L) × 77(W) × 52(D)mm
Weight	About 220g
Sound level	> 99dB
Power source	1.5V (AA) × 3 (Alkaline battery)
Safety standard	EN 61326-1



- (1) Buzzer:
High noise level buzzer triggered on voltage detection.
- (2) MUTE button:
When this button is at the higher position, this means the normal mode.
When this button is at the lower position, this means the mute mode.
- (3) High bright LED indicator
- (4) Function switch
- (5) OFF position – Turn the pick-up sensor off
- (6) TEST position – Check if the entire circuitry is working.
- (7) NCV position
– For detecting the AC Voltage from 100Vac ~ 69kVac.



Personal Safety Voltage Detectors

302 SVD Personal Safety Voltage Detector



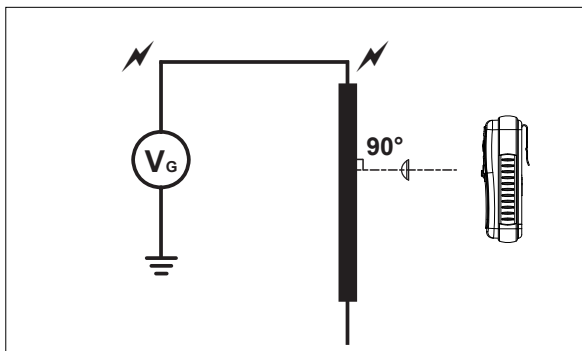
Features

- Bright LED visual indication
- Audible indication
- Easy-to-prove method
- Self-test function
- Non-contact detection by proximity
- Convenient to use
- Lightweight, robust and compact
- Easy access to batteries.

302 SVD is an instrument designed to alert users that they are approaching live equipment where dangerous voltage is present. The safety voltage detector helps the user stay a safe distance away from live equipment. It therefore protects and safeguards users from approaching dangerous live high voltage equipment or cables.

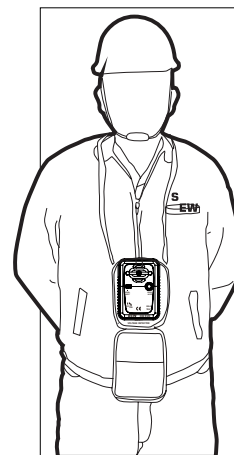
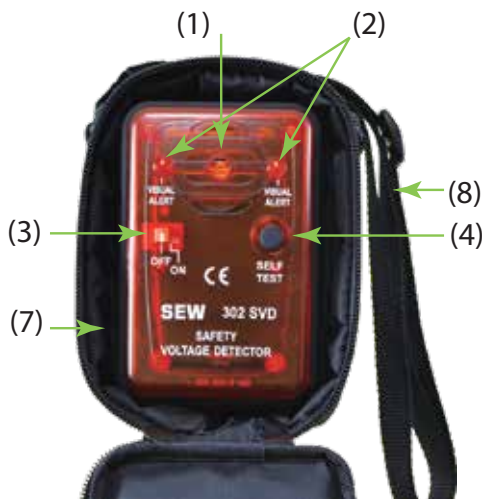
It's a new tool for checking the presence of AC high voltages and low voltages. The voltage detection is from 100Vac to 50kVac.

The ideal detection angle



Specifications

AC Voltage detection	100Vac ~ 50kVac
Frequency range	50/60 Hz
Operating temperature and humidity	0°C ~ 40°C / 80% R.H. Max.
Sound level	> 99 dB
Weight (battery included)	Approx. 205g
Dimension	107(L) x 73(W) x 33(D)mm
Power source	1.5V (AA) x 3(Alkaline battery)
Safety standard	EN 61326-1



Please remember to put the 302 SVD into the soft pouch before doing the voltage detection.

Put the safety voltage detector on your chest with the shoulder belt around your neck.

- (1) Buzzer: High noise level buzzer triggered on voltage detection.
 (2) Visual alert LED
 (3) ON/OFF switch
 (4) Self Test button
 (5) Clip
 (6) Battery cover
 (7) Soft pouch
 (8) Shoulder belt

Accessories

Instruction Manual,
 Soft pouch,
 Batteries.

Personal Safety Voltage Detectors

305 SVD Personal Safety Voltage Detector



305 SVD is an instrument designed to alert users that they are approaching live equipment where dangerous voltage is present.

The safety voltage detector helps the user stay a safe distance away from live equipment. It therefore protects and safeguards users from approaching dangerous live high voltage equipment or cables.

It's a new safety voltage detector for checking the presence of AC high voltages and low voltages.

The voltage detection is from 100Vac to 69kVac.

Features

- Bright LED visual indication
- Audible indication
- AC voltage detection: 100Vac ~ 69kVac
- Frequency range: 40 ~70Hz
- Easy-to-prove method
- Self-test function
- Power source: 9V alkaline battery
- Non-contact detection by proximity
- Convenient to use
- Operating temperature and humidity: 0°C~40°C / 80% RH Max.
- Lightweight, robust and compact
- Easy access to battery
- Comply with EN 61326-1

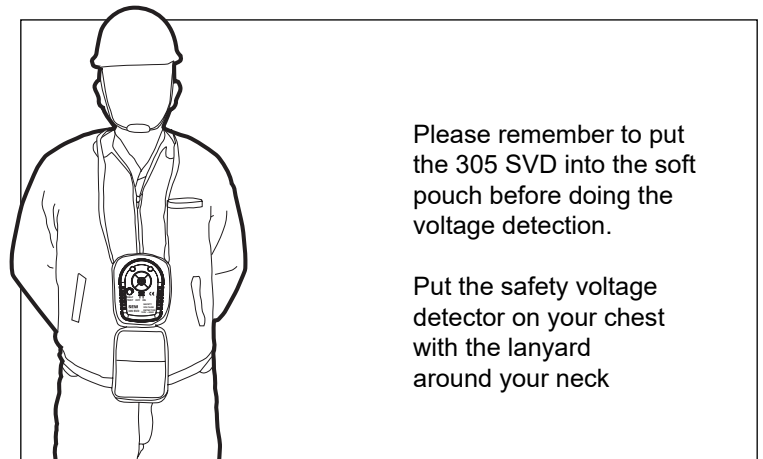
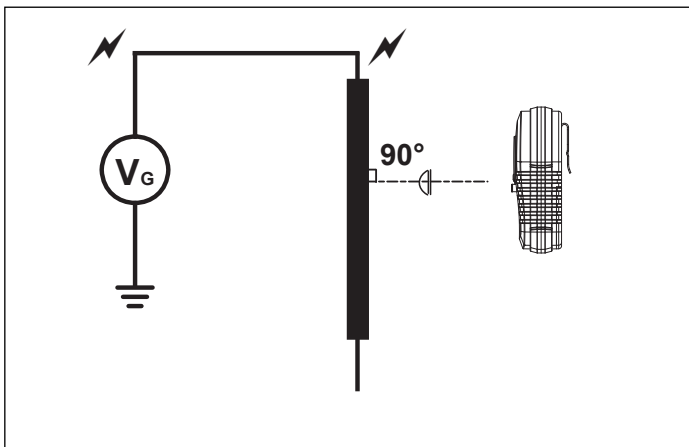
Specifications

AC Voltage detection	100Vac ~ 69kVac
Frequency range	40/70 Hz
Operating temperature and humidity	0°C ~ 40°C / 80% R.H. Max.
Sound level	> 99 dB
Weight (battery included)	Approx. 153g
Dimension	100(L) × 71(W) × 40(D)mm
Power source	9V Alkaline battery
Safety standard	EN 61326-1

Accessories

Instruction Manual,
Soft pouch,
Batteries.

The ideal detection angle



Please remember to put the 305 SVD into the soft pouch before doing the voltage detection.

Put the safety voltage detector on your chest with the lanyard around your neck

325 SVD Personal Safety Voltage Detector

IP65



CE



325 SVD is a sensor for sensing AC High Voltage. It provides electric engineering personnel, power engineering personnel, firefighting personnel and instrument equipment workers with prominent warning when approaching high voltage source.

Features

- Compact, easy to wear and convenient in use
- Usable both indoor and outdoor
- Water-proof design. (IP65)
- Equipped with self-testing functions
- Able to sense all kinds of AC High Voltage System
- Low power consumption
- CE Certified right LED visual indication

Specifications

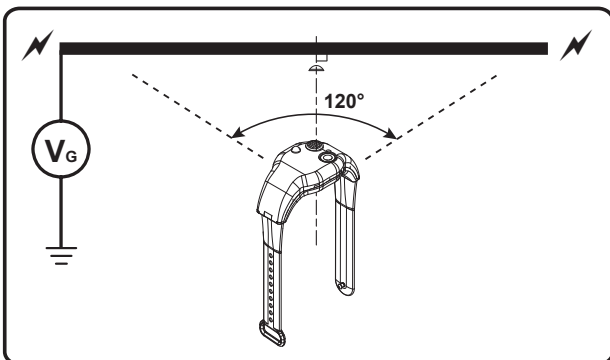
Distance of starting warning:	120 cm for 11kV (phase to ground)
Applicable frequency:	50 / 60 Hz
Volume:	65dB or higher at 1 meter distance
Operating Temp & Humidity:	0°C - 40°C / 80% RH.
Dimensions:	79(L) x 33(H) x 42(D) mm (without the watchstrap)
Weight:	42g (battery included)
Battery type:	CR2032
Battery life:	50 hours for continuous use.

Method Of Use

- Inspection before use
 - (1) Check the appearance and structure for any abnormality.
 - (2) Press Self-Test switch (about 3 seconds) to confirm all functions are working normally.
 - (3) To be careful and to avoid misjudgment, test the unit by contacting AC 110V insulated wire with its front side to see if it sounds and flashes.
- Wearing

Wear the unit on the outer side of the wrist with the sensing side facing outward, as shown in the following figure. The effect is best when the sensing side is facing high voltage at right angles (90 degrees).

325 SVD has a wide angle for voltage detection (about 120°)



Accessories

Instruction Manual,
Battery.

Voltage Detection	Angle Detection	Distance
11kV (11kV phase to ground)	120°	120 cm ± 20%
22kV (22kV phase to ground)	120°	140 cm ± 20%
33kV (33kV phase to ground)	120°	160 cm ± 20%

388 SVD Personal Safety Voltage Detector



Features

- Warning Proximity of AC Voltage (240V~69kV).
- Waterproof.
- Easy-to-wear on body or belt.
- Ultra high bright LED indication.
- High pitch sound indication.
- The sound level can reach up to 90dB.
- Test & diagnostic circuitry.
- Friendly priority alert reporting.
- Circuit test function.
- High impact type casing.
- Different alerting sound & light.

General Description

The 288 SVD consists of an internal pickup AC sensor plate, a test (oscillator) and diagnostic circuit, an adjustable threshold comparator, a sound annunciator (buzzer), a visual indicator (ultra-bright LED) and a 9V battery, all enclosed in a robust "beeper" style case. The enclosure features a built-in clip enabling the unit to be attached to the user's outer garments or belt.

How it works

The 288 SVD detects AC voltages using its internal AC sensor plate. The AC sensor plate picks up part of the radiated electric field in volts per meter (V/M). The electric field is amplified and processed by the internal circuitry and once the processed signal is above the threshold, triggers the input of a integrated circuit, which start the oscillator for the buzzer and led.

The Buzzer beeps and Led lit intermittently at a rate of 2 beeps/flash per second.

The "Self-test" diagnostic is actioned by depressing simultaneously both push button on the front panel. The battery monitoring is always ON. Please see the priority of alert on the front panel.

Note: It is recommended that when the 388 SVD is used in H.V. yards of mixed voltages: In the presence of mixed voltages, it could become difficult to determine exactly which source has been detected or which source created the alert.

Always treat all sources as LIVE.

Specifications

Dimensions:	114(L) × 67(W) × 27(D)mm
Weight: Approx.	152g (battery included)
Power supply:	9V(6F22) × 1
Safety standard:	EN 61326-1

The Body-Prox 388 SVD is a Personal Safety Voltage Proximity Detector.

It is an instrument designed to alert users that they are approaching live equipment where dangerous voltage is present.

The Body-Prox tells the user to stay at a safe distance from live equipments, therefore it protect and safeguard people from approaching dangerous Live High Voltage equipment or cable.

Live Alert is shown by a ultra bright LED on the front panel and heard via a Buzzer.

When Live equipment is detected near the user's body, the user will be alerted of the PROXIMITY OF LIVE equipment by the AUDIO ALERT (beeping) and the VISUAL ALERT (LED flashing) twice per second.

The 388 SVD is an ultra low consumption product and can be used for months without replacing the 9V battery. It can be tested by pressing both front panel buttons to proof the tester is working properly.

Should the battery become too low, a low battery indication will beep the buzzer and lit the led shortly every 5 seconds.

The Body-Prox is waterproof and can be used in all weathers. It has no voltage selection and the user does not need to know how to operate complicated test equipment.

It is designed to be simple to use, It only require to proof it's good working condition. This is done by simply depressing the two push buttons situated on the front panel.

A very easy to understand "Priority Alert" Reporting System (Audio and Visual) let the user know if an ac signal has been detected in the proximity (Buzzer and Red Light, BOTH "operates shortly twice per second").

Body-Prox, alert if battery is Low (Buzzer and Red LED, BOTH "operates shortly every 5 seconds) per second".

